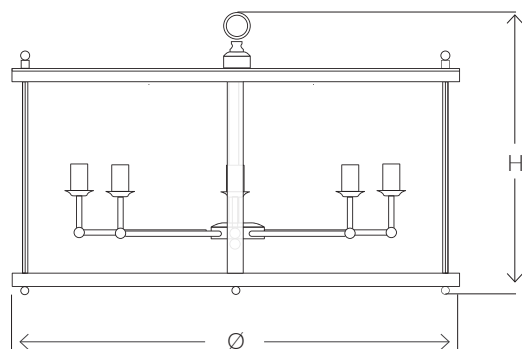


100 cm chain supplied



ABRISSI
LIGHTING

AREZZO CROSS CONTEMPORARY METAL LANTERN 11275



MATERIALS

METAL

Hand painted metal.

OTHER FINISHES

Candle holders and chain to match metal finishes.

METAL FINISHES

Colour palettes available online.

DETAILS

SUSPENSION

All lanterns are supplied with approximately 100cm or 40" of chain. If additional chain is required please specify this with your order so that the fitting can be wired with an additional amount of cable. Additional costs may apply.

FIXING

Ensure the hook (not supplied) suitable to carry the weight indicated below to be fitted prior to lantern installation.

INSTALLATION

Fixture requires on site assembly by a qualified electrician.

CANDLE HOLDERS

Height: 5,5 cm/2.2"

ELECTRICALS

Villaverde advise LED bulbs to be used on all products sold with shades. Lightbulbs are not supplied.

UK

220V E14 Golf/ Candle bulb
40W max per bulb (Standard) - 6W LED per bulb

USA

120V E12 Golf/ Candle bulb
40W max per bulb (Standard) - 6W LED per bulb

STANDARD

All lighting is made to CE standards
UL listing upon request

SHADES

Silk and Cotton shades available for this product. Colour palettes available online.

* The 6 light Arezzo Cross can only facilitate shades of a 12 cm diameter or less

SIZES*

6 light	H 35cm H 13.8"	Ø 62cm Ø 24.4"	Kg 18 Lb 39.7
8 light	H 50cm H 10.7"	Ø 92cm Ø 36.2"	Kg 30 Lb 66

Consult chart (right) for sizing

*The height of the ceiling light is taken from the lowest point of the fitting to where the chain starts. An allowance of approximately 18cm or 7" should be added to the height of such ceiling lights to allow for a minimal length of chain and the ceiling rose.

All our products are handmade, therefore variances may occur.