

# VILLAVERDE LONDON

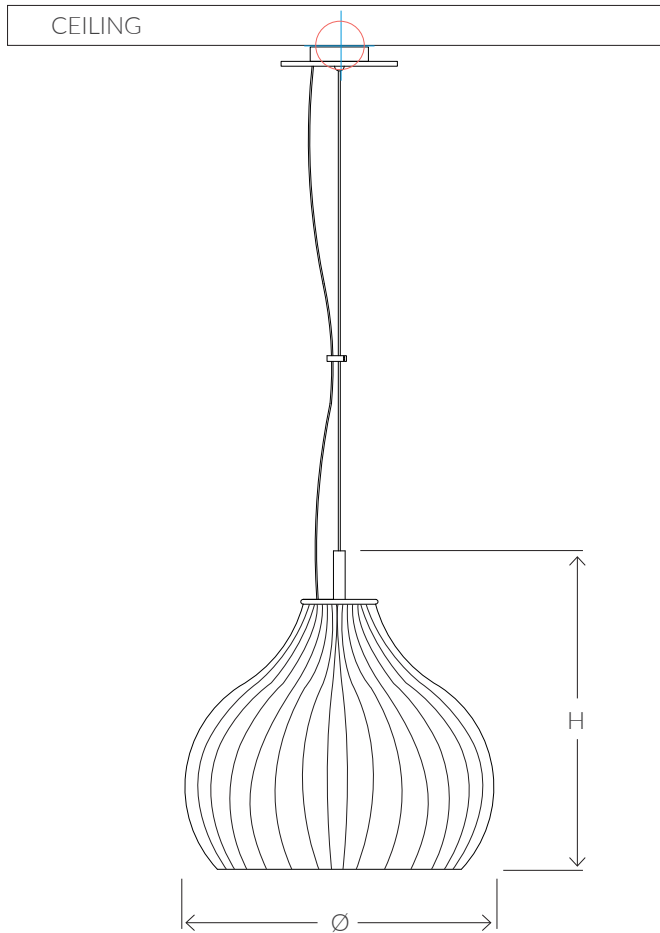
## HUDSON MURANO CEILING LIGHT 10864



### SIZES\*

S - 1 light (G9)	H 13cm H 5.1 "	Ø 14.5cm Ø 5.7 "	Kg 3 Lb 1.4
M - 1 light (E14)	H 27cm H 10.6 "	Ø 24cm Ø 9.44 "	Kg 3.5 Lb 7.7
L - 1 light (E27)	H 35cm H 13.8 "	Ø 32cm Ø 12.6 "	Kg 4 Lb 8.8

Bespoke size available



Consult chart (right) for sizing

\*The height of the wall light is taken from the lowest point of the fitting to the top of the wall light. ( Shade Included )

All our product are handmade, therefore variances may occur.

info@villaverdeltd.com

### FINISHES AVAILABLE

Colour palettes available online.

### INSTALLATION

Fixtures requires on site assembly by a qualified electrician

### ELECTRICALS

Lightbulbs are not supplied  
G9 halogen bulbs

UK

220V E1 Candle bulb, 25W / 40 W

USA

120V E12 Candle bulb, 40W max

UK

220V E27 Candle bulb, 25W / 40W max

USA

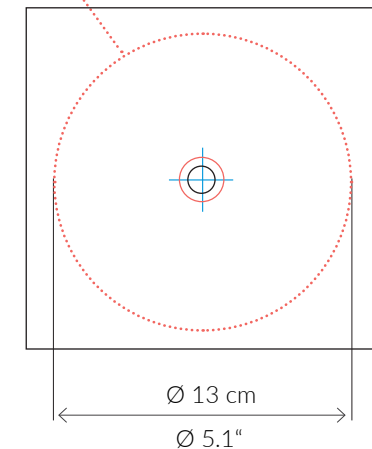
120V E26 Candle bulb, 40W max

STANDARD

All lighting is made to CE standars

UL listing upon request

Wiring plate



www.villaverde.london