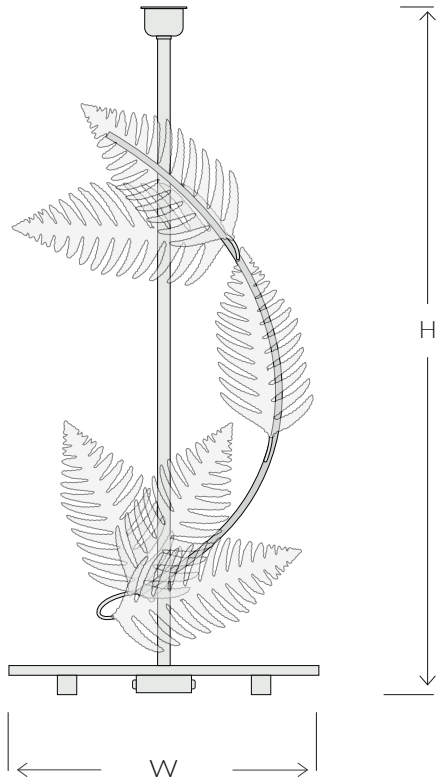


FERN
METAL TABLE LAMP | I283



Consult chart (right) for sizing

*The height of the Table lamp is taken from the lowest point of the products to the light fitting. (Shades excluded)

All our product are handmade, therefore variances may occur.



SIZES*

1 light	H 71cm	W 32cm	D 24cm	Kg 5
	H 27.9"	W 12.6"	D 9.4"	Lb 11

Bespoke size available

FINISHES AVAILABLE

Colour palettes available online.

ELECTRICALS

Lightbulbs are not supplied

UK

20V E27 Candle bulb, 25W / 40W max

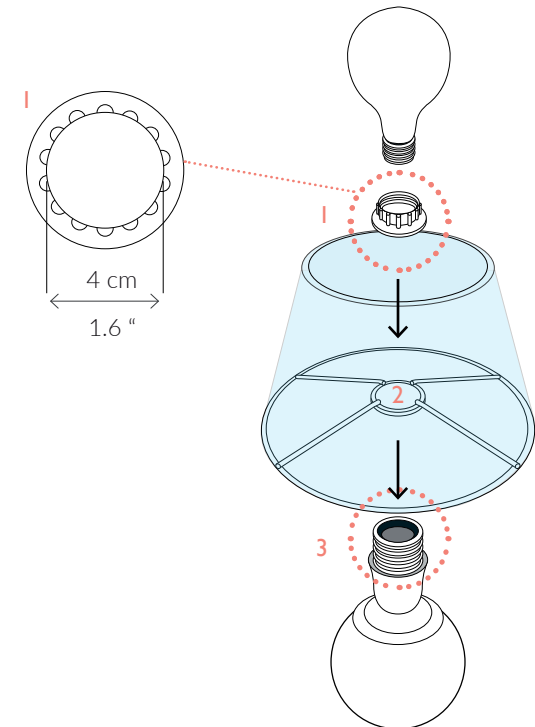
SA

20V E26 Candle bulb, 40W max

STANDARD

All lighting is made to CE standards

UL listing upon request



SHADES

Silk and Cotton shades available for this product.
Colour palettes available online.