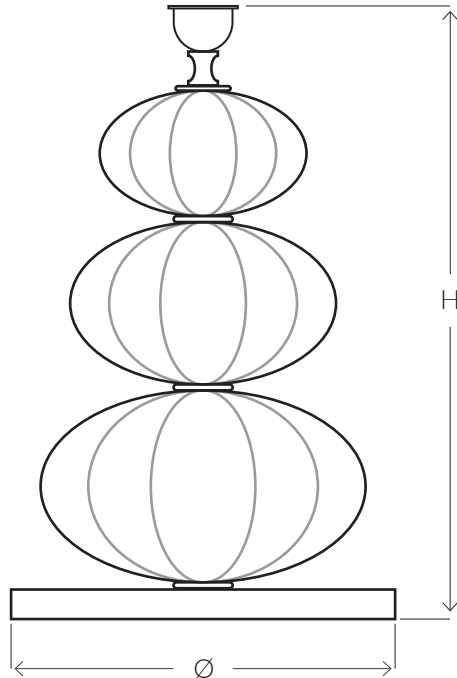


# VILLAVERDE LONDON

## HARPER MURANO TABLE LAMP 11174



### SIZES\*

1 light	H 45cm H 17.7"	Ø 26cm W 10.2"	Kg 5 Lbs 11
---------	-------------------	-------------------	----------------

Consult chart (right) for sizing

\*The height of the table lamp is taken from the lowest point of the product to the light fitting. (shade excluded)

All our products are handmade, therefore variances may occur.

### FINISHES AVAILABLE

Colour palettes available online.

### ELECTRICALS

UK

220V E27 Candle bulb, 40W max per light arm.

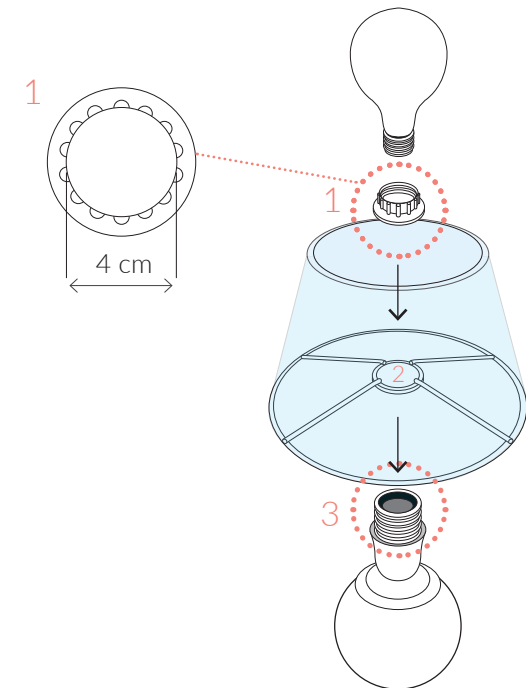
USA

120V E26 Candle bulb, 40W max per light arm

### STANDARD

All lighting is made to CE standards

UL listing upon request



### SHADES

Silk and Cotton shades available for this product.

Colour palettes available online.