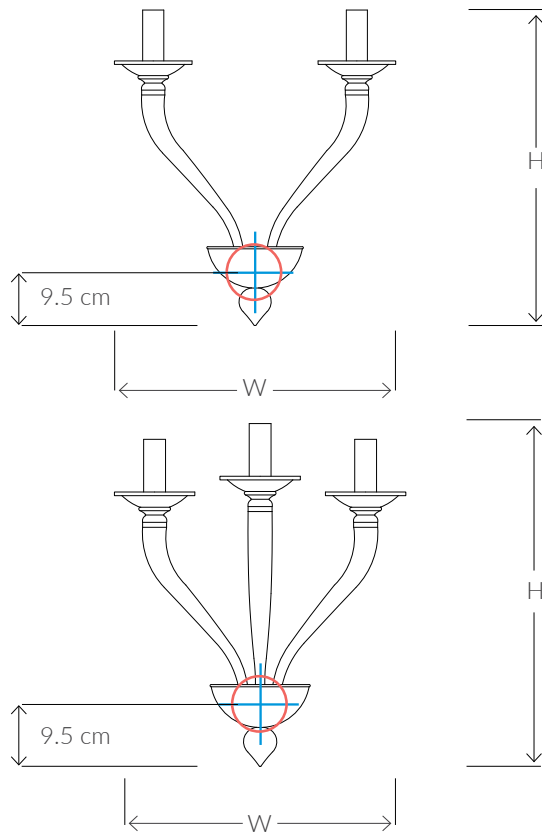


WESTON

MURANO WALL LIGHT 10984



Consult chart (right) for sizing

*The height of the wall light is taken from the lowest point of the fitting to the top of the wall light.

All our product are handmade, therefore small variances may occur.

SIZES*

| | | | |
|---------|----------|----------|--------|
| 2light | H 44cm | W 30cm | D 28cm |
| | H 17.3 " | W 11.8 " | D 11 " |
| 3 light | H 44cm | W 40cm | D 28cm |
| | H 17.3 " | W 15.7 " | D 11 " |

Bespoke size available

FINISHES AVAILABLE

Colour palettes available online.

INSTALLATION

Fixture requires on site assembly by a qualified electrician.

ELECTRICALS

LED bulbs - recommended for products sold with shades
Lightbulbs are not supplied.

UK

220V E14 Candle bulb

40W max per bulb (Standard) - 6W LED per bulb

USA

120V E12 Candle bulb

40W max per bulb (Standard) - 6W LED per bulb

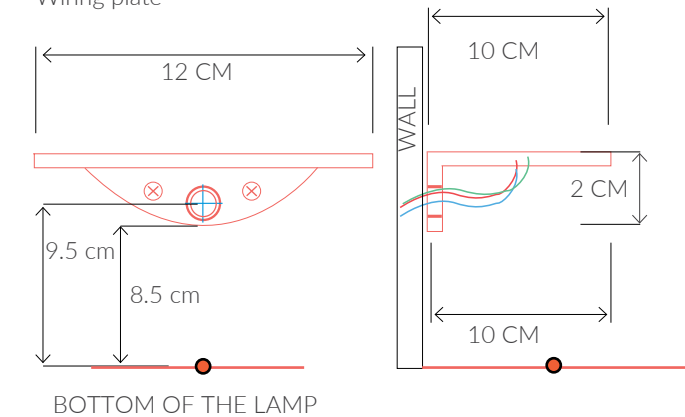
USA Regulations may affect the Design.

STANDARD

All lighting is made to CE standards

UL listing upon request

Wiring plate



SHADES

Silk and Cotton shades available for this product.
Colour palettes available online.